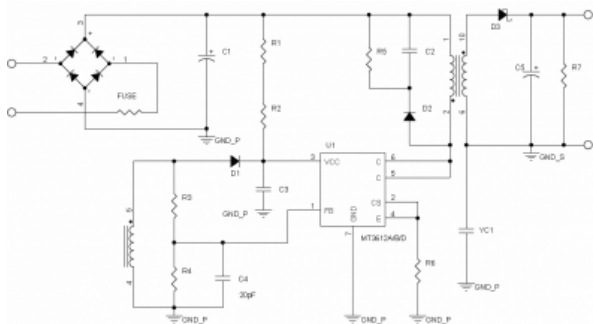


一流品质 一流服务 打造一流品牌

Home about Us Company brochure Products Program Information News Leave a message Contact Us

MT3612A/B/D Datasheet

Category: X-chip Semiconductor Published: 2020-01-17



Detailed Introduction

Overview

MT3612A/B/D is a series of high-performance AC/DC low-power primary feedback control chips with built-in 800V (Vcbo) power transistors. It uses pulse frequency modulation (PFM) to establish a discontinuous conduction mode (DCM) flyback power supply with built-in QR mode.

The chip provides accurate constant voltage, constant current (CV/CC) without optocoupler and secondary control circuit regulation. It eliminates the need for loop compensation circuit while maintaining good stability. It achieves good regulation and high average efficiency, meeting no-load loss of less than 75mW.

There is also a proprietary cable voltage drop compensation function, namely output line loss compensation. The line loss compensation amount can be adjusted with the resistance value of the FB voltage divider resistor. The maximum compensation amount is 12% of the output voltage, which can effectively compensate for the loss voltage drop of the output current on the output line. It is mainly used in adapters for mobile phones, cordless phones, PDAs, MP3s and other portable devices; battery chargers; LED drive current; backup power supply; and upgrades of linear power supplies and RCC switching power supplies.

型号	推荐应用功率 Vin: 90-264Vac 50/60Hz
MT3612A	10.5W(5V/2.1A)
MT3612B	12.0W(5V/2.4A)
MT3612D	12.0W(5V/2.4A)加强版

Features

Applicable to 5V/2A applications, meeting level VI energy efficiency; <75mW standby power consumption;

online

Column classification list

Dongke Semiconductor

Jingyuan Micro

Sino Semiconductor

Silan Microelectronics

Rich

Xingjingtai

QQ Online

- Business Department 1:3501688888
- Business Department 2: 3050794590
- Business Department 3: 1064759407
- Business Department 4: 108914362

Contact Details

Tel: 0755-29962242
 Fax: 0755-27455477
 Contact: Guan Jingchao
 Mobile phone: 13922810002
 QQ: 3501688888
 Address: 3rd Floor, Building 23, Gardening Industrial Zone, Xixiang Street, Bao'an District, Shenzhen

Shantou Branch
 Contact: Guan Jingyong
 Mobile phone: 13685658820
 Address: No. 52-54, Guangming Road, Chendian Town, Chaonan District, Shantou City, Guangdong Province

Friendly Links



Valley conduction technology (QR mode) to improve overall efficiency

Built-in high voltage transistor;

Random frequency jitter modulation reduces system electromagnetic interference;

Open circuit protection;

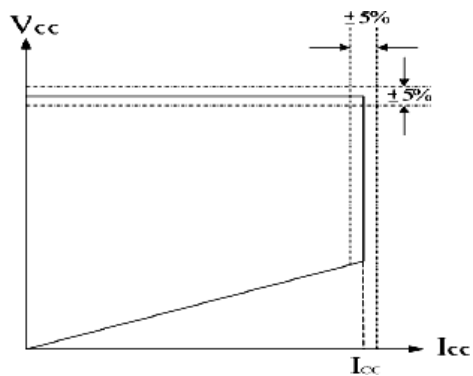
Overvoltage protection;

Short circuit protection;

Over temperature protection;

Line loss compensation;

· Using SOP-7 package, built-in 1300X series transistor.



[download: MT3612_DATASHEETS_V1.1](#)

Clicks: 19771 Update time: 2020-01-17 [Print this page] [Close]

Previous: DK5V85R15ST1 Specifications

Copyright © 2015 www.xhcicled.com , All right reserved.Website

construction : Junyu website construction PC version | mobile version